

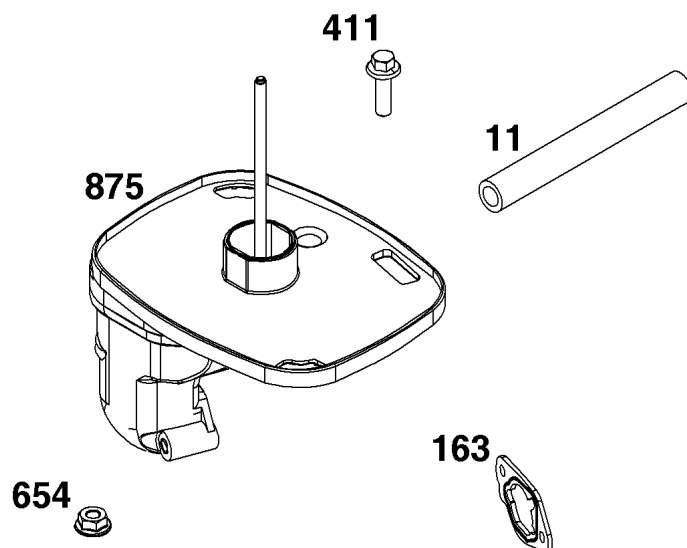
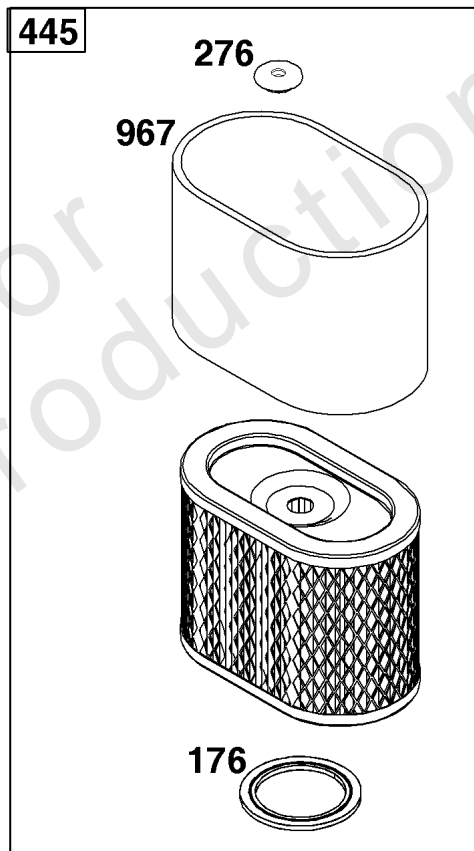
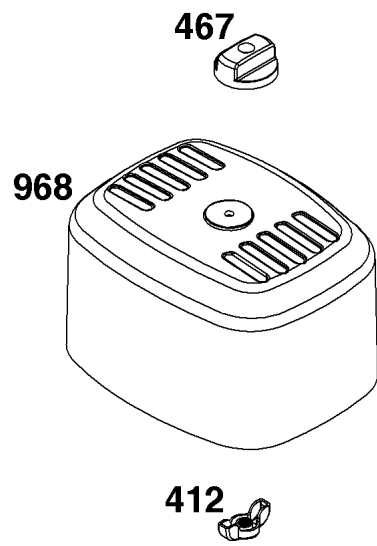


Parts Manual

Mfg. No: 25T237-0453-H5

Model Components	Page
Air Cleaner Group.....	4
Alternator Group.....	6
Blower Housing Group.....	8
Carburetor Group.....	10
Controls Group.....	12
Crankcase Cover/Sump Group.....	14
Crankshaft Group.....	16
Cylinder Group.....	18
Cylinder Head Group.....	22
Exhaust Group.....	24
Flywheel, Ignition, and Starter Group.....	26
Fuel Supply Group.....	28
Lubrication Group.....	30

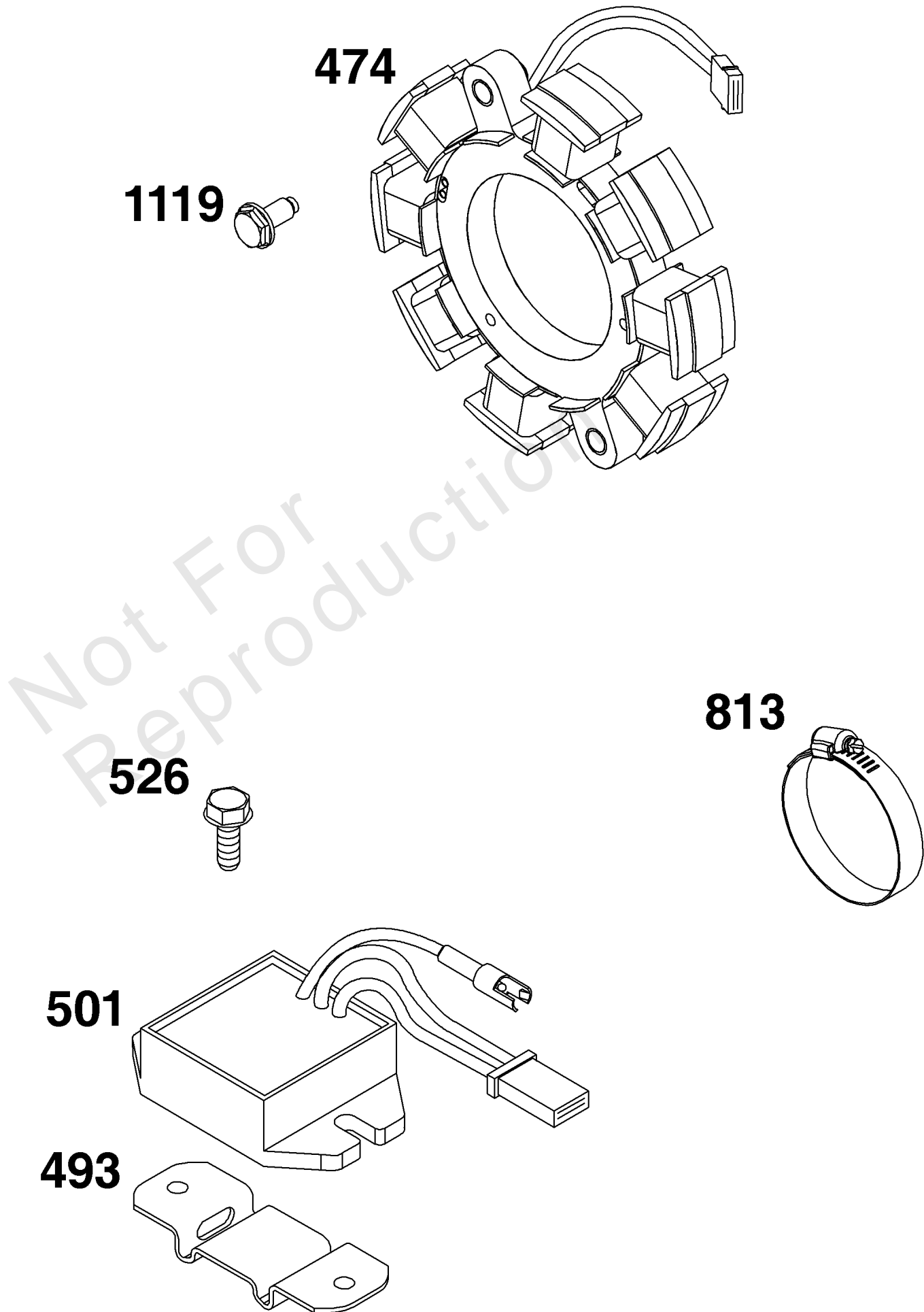
Not For
Reproduction



Air Cleaner Group

REF NO	PART NO	QTY	DESCRIPTION
11	799832	1	TUBE, Breather
163	-----	1	GASKET, Air Cleaner -(Part information located in Carburetor Group.)
176	799834	1	SEAL, O-Ring -(Air Cleaner Base)
276	798505	1	WASHER, Sealing
411	797686	1	SCREW -(Air Cleaner Base to Air Cleaner Bracket)
412	799830	1	NUT -(Air Cleaner Cover)
445	591338	1	FILTER, A/C Cartridge
467	691985	1	KNOB, Air Cleaner Cover
654	-----	3	NUT -(Part information located in Carburetor Group.)
875	799831	1	BASE, Air Cleaner
967	798795	1	FILTER, Pre Cleaner
968	799829	1	COVER, Air Cleaner

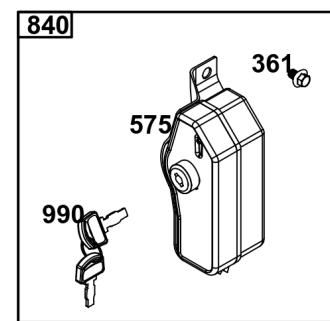
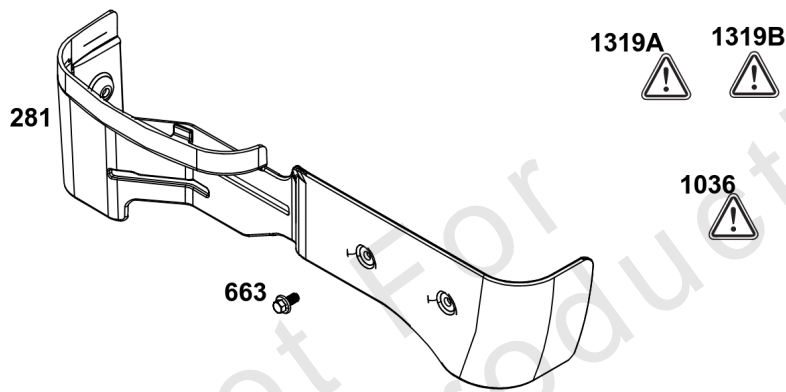
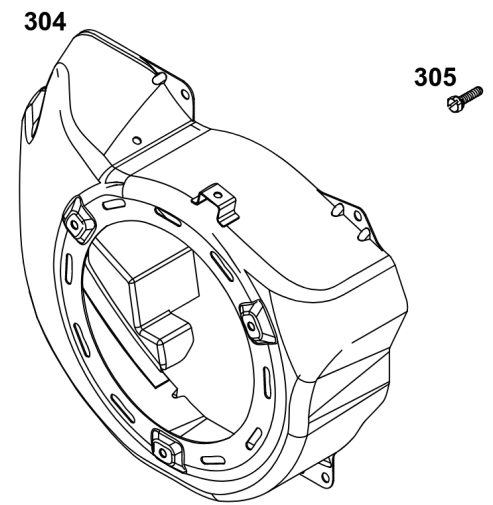
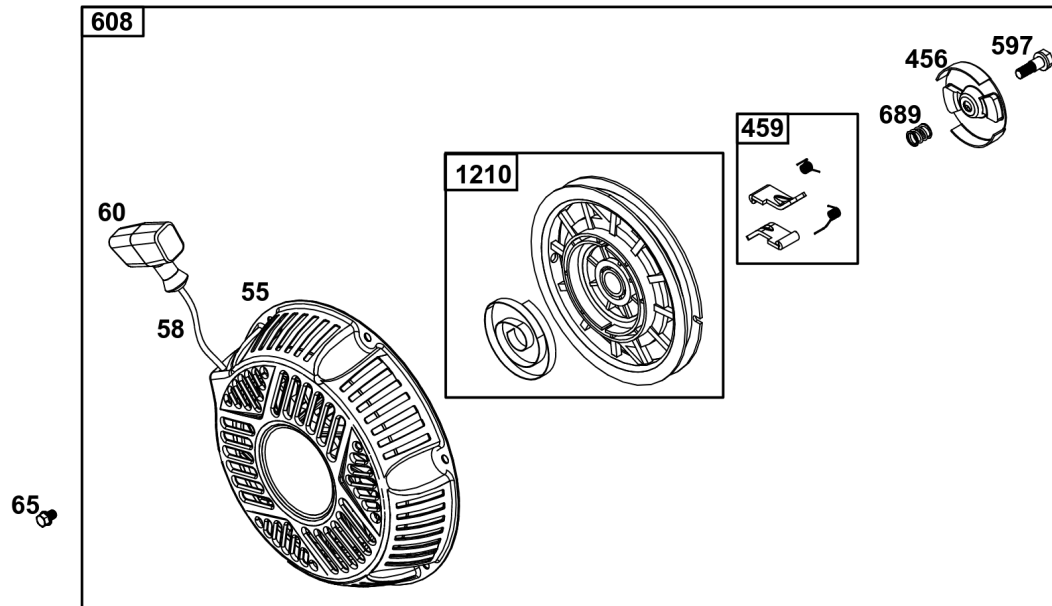
Not For Reproduction



Alternator Group

REF NO	PART NO	QTY	DESCRIPTION
474	591100	1	ALTERNATOR
493	691177	1	BRACKET, Mounting
501	845907	1	REGULATOR
526	690297	2	SCREW -(Regulator)
813	590392	1	CLAMP
1119	799845	2	SCREW -(Alternator)

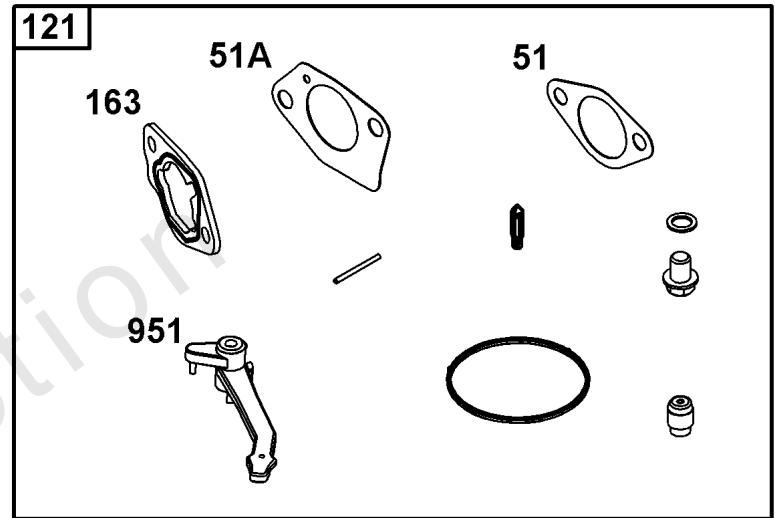
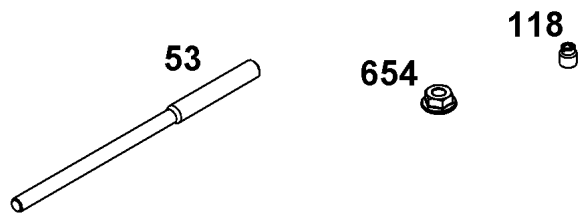
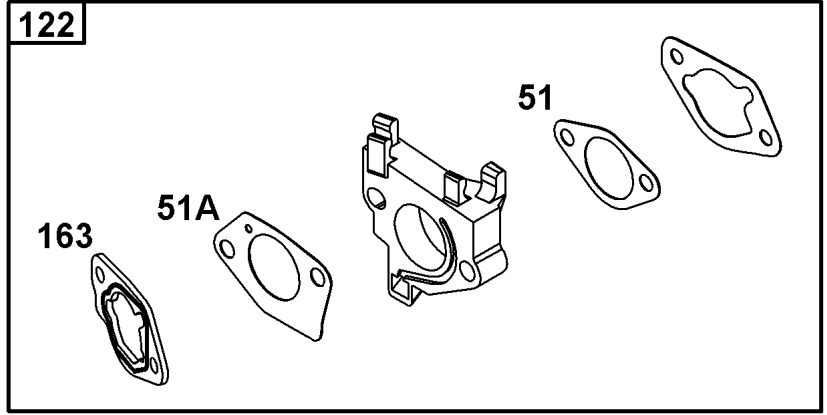
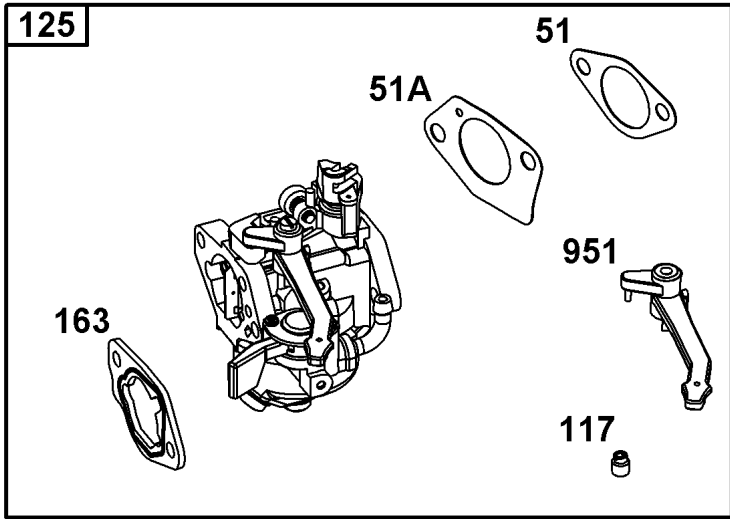
Not For Reproduction



Not For
Reproduction

Blower Housing Group

REF NO	PART NO	QTY	DESCRIPTION
55	-----	1	HOUSING, Rewind Starter -(Part information located in Flywheel/Ignition/Starter Group.)
58	-----	1	ROPE, Starter -(Part information located in Flywheel/Ignition/Starter Group.)
60	-----	1	GRIP, Starter Rope -(Part information located in Flywheel/Ignition/Starter Group.)
65	-----	3	SCREW -(Part information located in Flywheel/Ignition/Starter Group.)
281	-----	1	PANEL, Control -(Part information located in Controls Group.)
304	799968	1	HOUSING, Blower
305	798618	5	SCREW -(Blower Housing)
361	-----	1	SCREW -(Part information located in Controls Group.)
456	-----	1	PLATE, Pawl Friction -(Part information located in Flywheel/Ignition/Starter Group.)
459	-----	2	PAWL, Ratchet -(Part information located in Flywheel/Ignition/Starter Group.)
575	-----	1	SWITCH, Starting -(Part information located in Controls Group.)
597	-----	1	SCREW -(Part information located in Flywheel/Ignition/Starter Group.)
608	-----	1	STARTER, Rewind -(Part information located in Flywheel/Ignition/Starter Group.)
663	-----	3	SCREW -(Part information located in Controls Group.)
689	-----	1	SPRING, Friction -(Part information located in Flywheel/Ignition/Starter Group.)
840	-----	1	KIT, Panel -(Part information located in Controls Group.)
990	-----	1	SET, Key -(Part information located in Controls Group.)
1036	-----	1	LABEL, Emissions -(Available from a Briggs & Stratton Authorized Dealer)
1210	-----	1	PULLEY/SPRING ASSEMBLY -(Part information located in Flywheel/Ignition/Starter Group.)
1319A	797669	1	LABEL, Warning -(Required When Replacing Parts With Warning Labels Affixed)
1319B	278911GS	1	LABEL, Warning -(Required When Replacing Parts With Warning Labels Affixed)

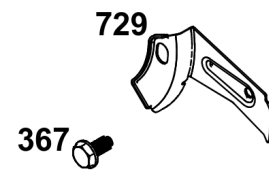
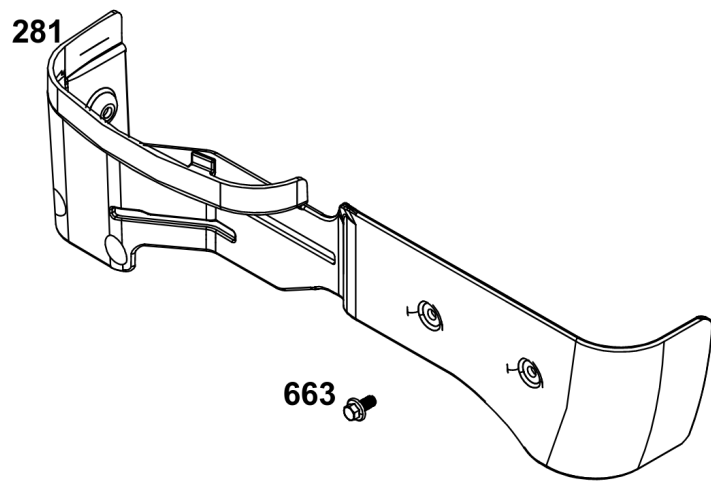
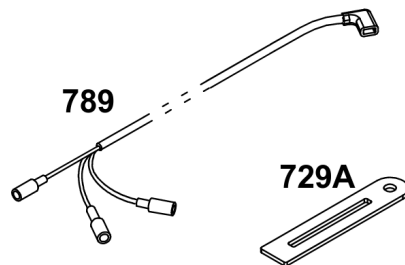
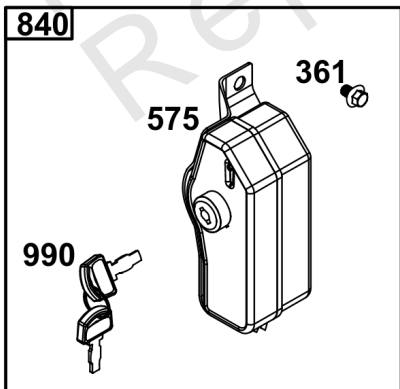
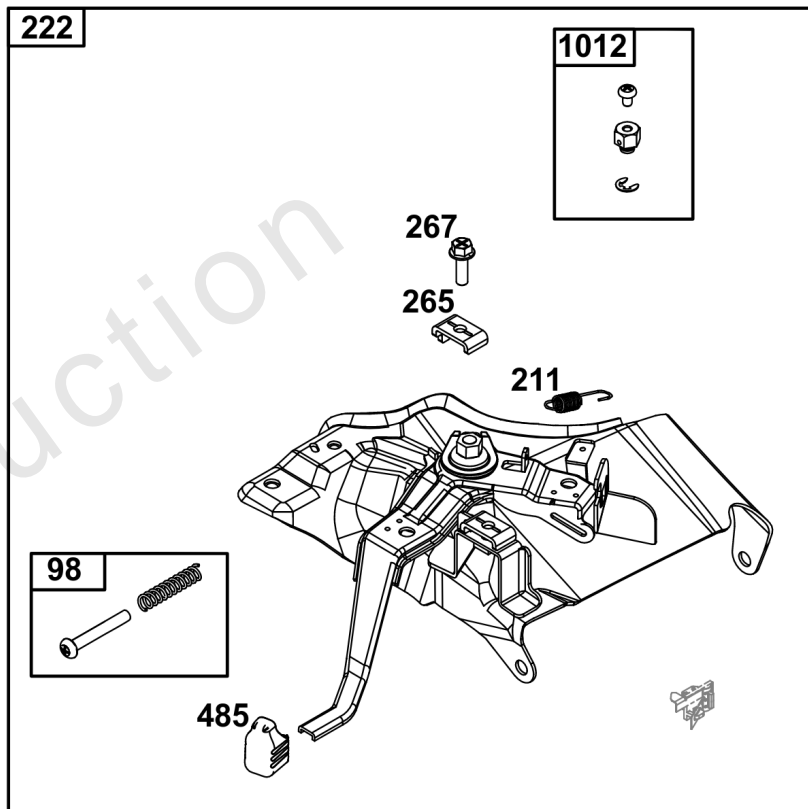
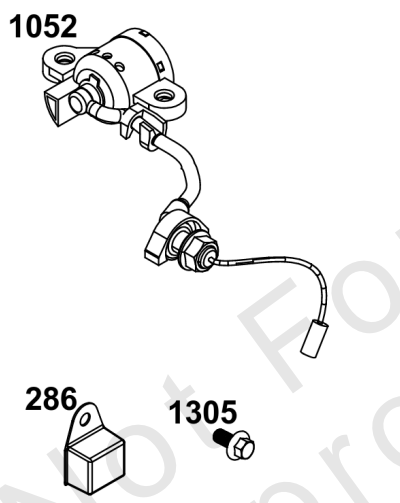
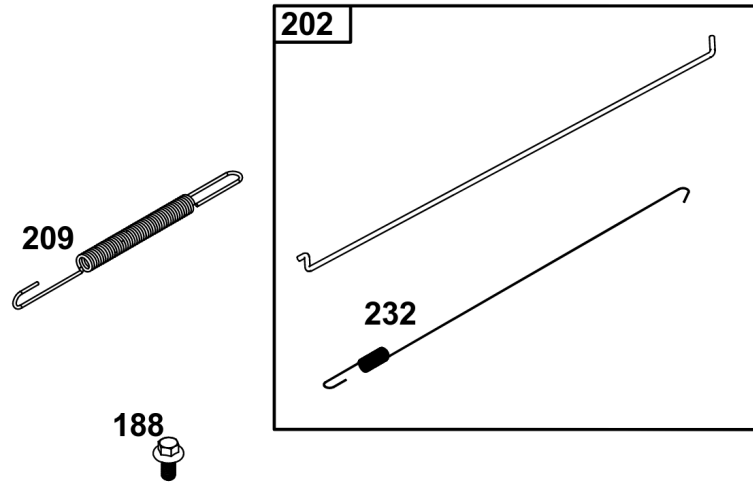
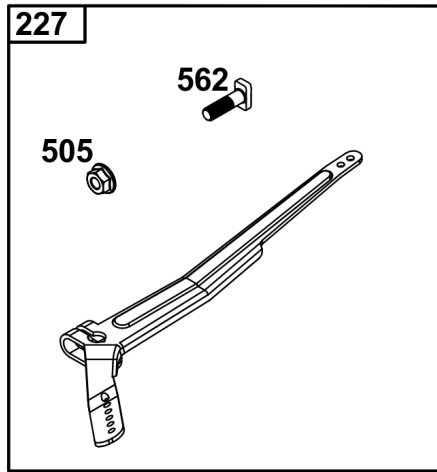


Not For
Reproduction

Carburetor Group

REF NO	PART NO	QTY	DESCRIPTION
51	-----	1	GASKET, Intake -(Part information located in Cylinder Head Group.)
51A	-----	1	GASKET, Intake -(Part information located in Cylinder Head Group.)
53	590390	2	STUD -(Carburetor)
117	590451	1	JET, Main -(Standard)
118	590452	1	JET, Main -(High Altitude)
121	84004389	1	KIT, Carburetor Overhaul
122	799961	1	SPACER, Carburetor
125	799882	1	CARBURETOR
163	799883	1	GASKET, Air Cleaner
654	690939	2	NUT -(Carburetor)
951	593102	1	LEVER, Choke

Not For Reproduction

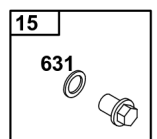
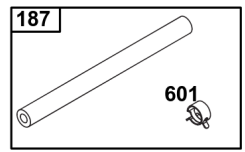
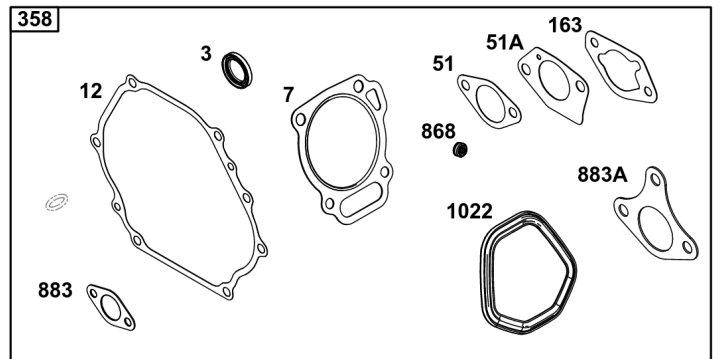
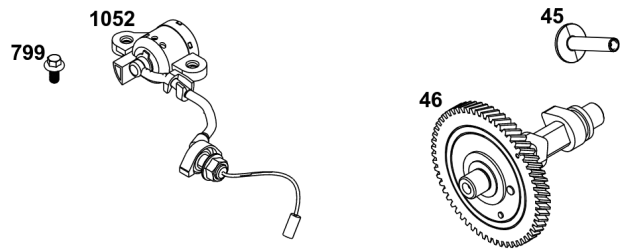
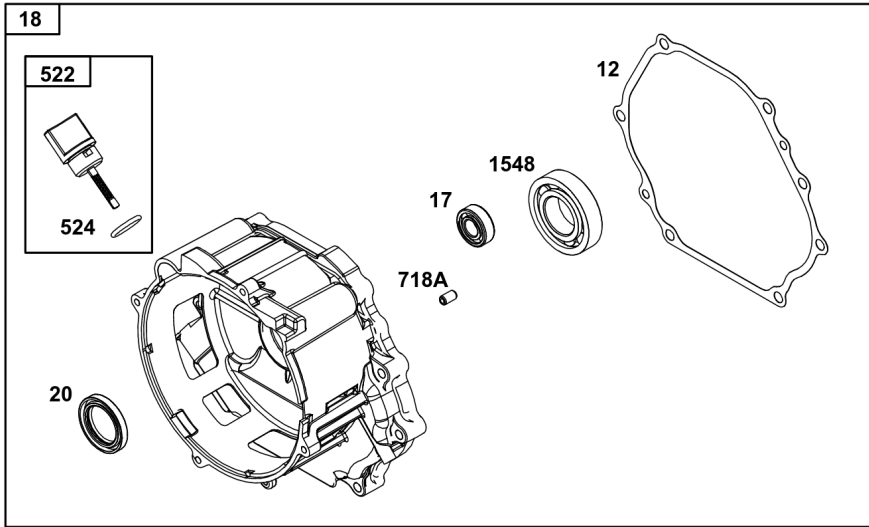


Controls Group

REF NO	PART NO	QTY	DESCRIPTION
98	592978	1	KIT, Idle Speed
188	798618	2	SCREW -(Control Bracket)
202	797810	1	LINK, Mechanical Governor
209	591042	1	SPRING, Governor
211	799927	1	SPRING, Governed Idle
222	590375	1	BRACKET, Control
227	799924	1	LEVER, Governor Control
232	797809	1	SPRING, Governor Link
265	691024	1	CLAMP, Casing
267	699492	1	SCREW -(Casing Clamp)
281	590986	1	PANEL, Control
286	84004388	1	MODULE, Oil Sensor
361	798618	2	SCREW -(Starting Switch)
367	798618	2	SCREW -(Wire Clip)
485	797339	1	KNOB, Control
505	690939	1	NUT -(Governor Control Lever)
562	797230	1	BOLT -(Governor Control Lever)
575	591371	1	SWITCH, Starting
663	590850	3	SCREW -(Control Panel)
729	799844	1	CLIP, Wire
729A	592311	1	CLIP, Wire
789	590372	1	HARNESS, Wiring
840	594476	1	KIT, Panel
990	590996	1	SET, Key
1012	590378	2	RETAINER, Link
1052	----		SENSOR, Oil -(Part information located in Lubrication Group.)
1305	798618	1	SCREW -(Oil Sensor Module)

Crankcase Cover/Sump Group

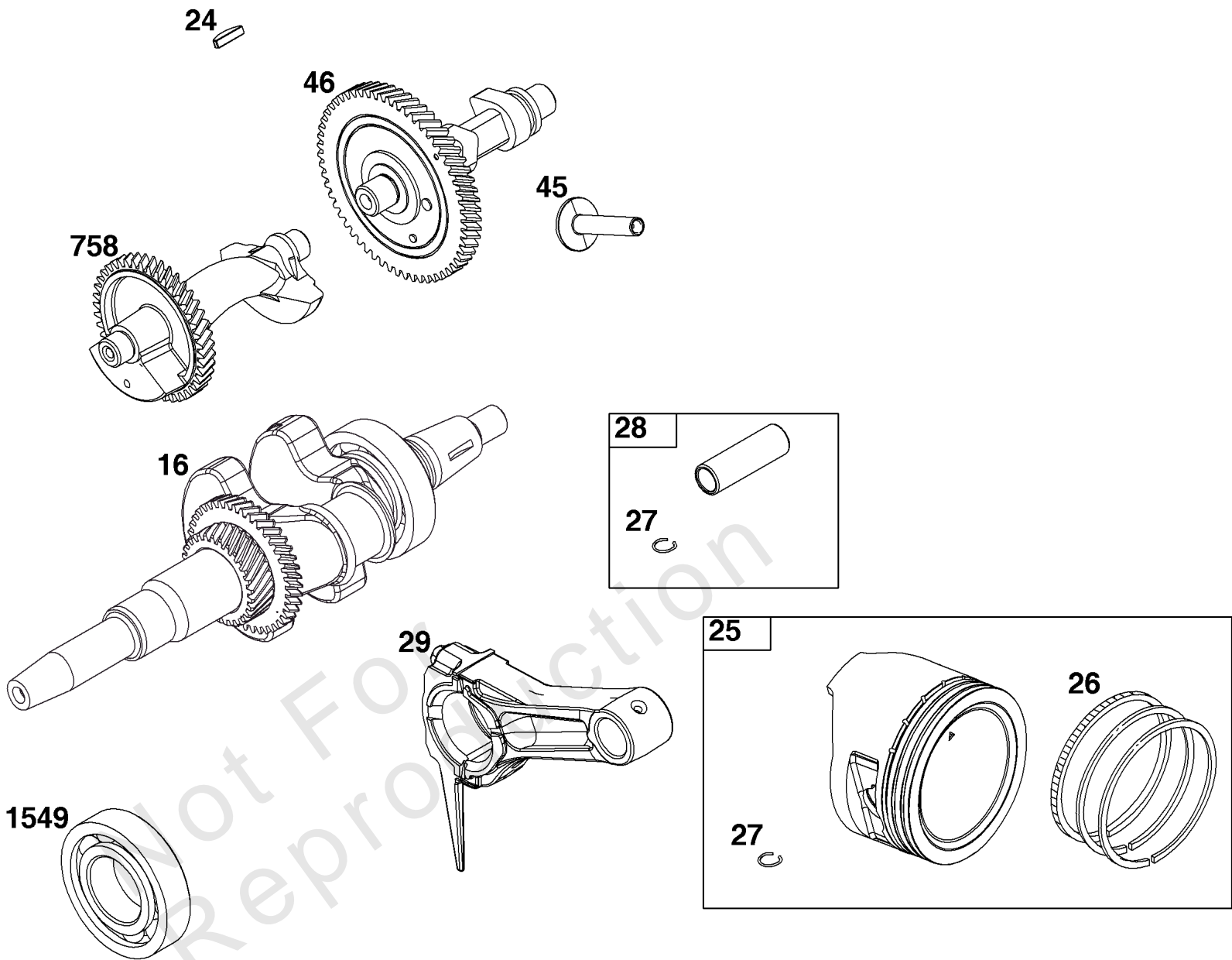
Mfg. No: 25T237-0453-H5



Not For
Reproduction

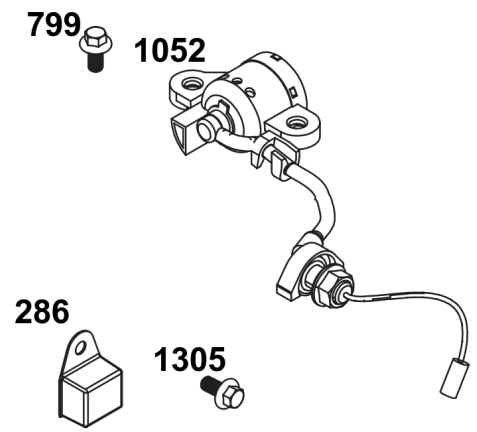
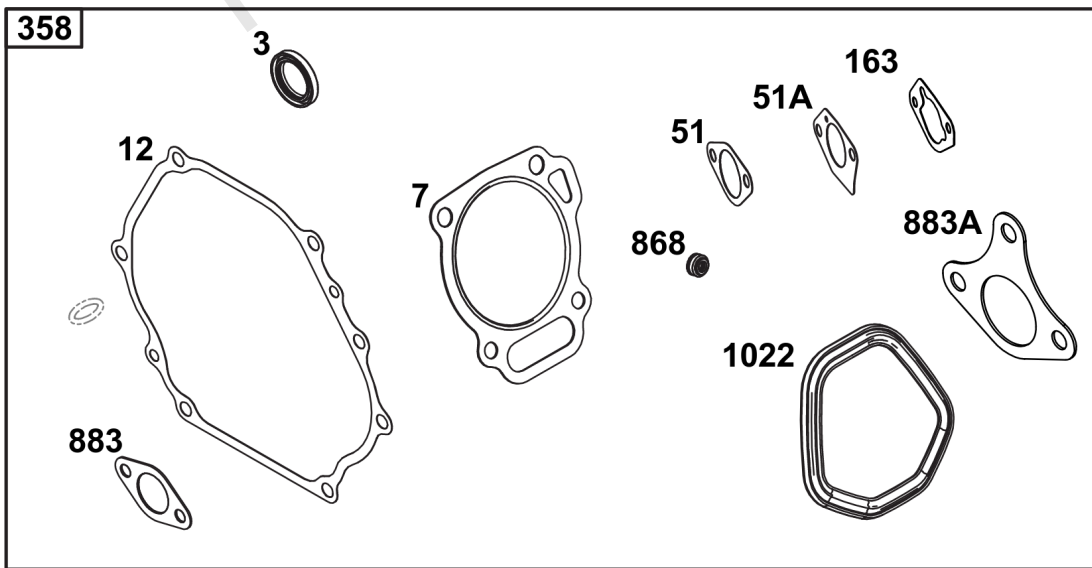
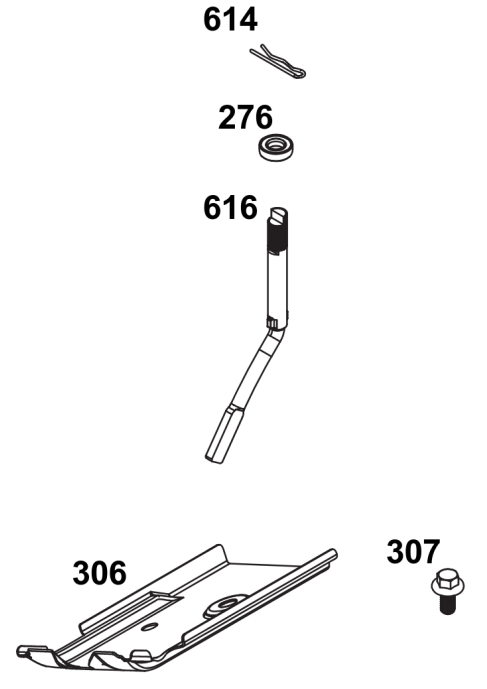
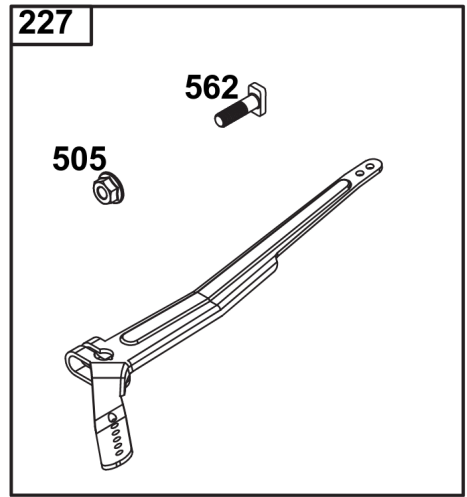
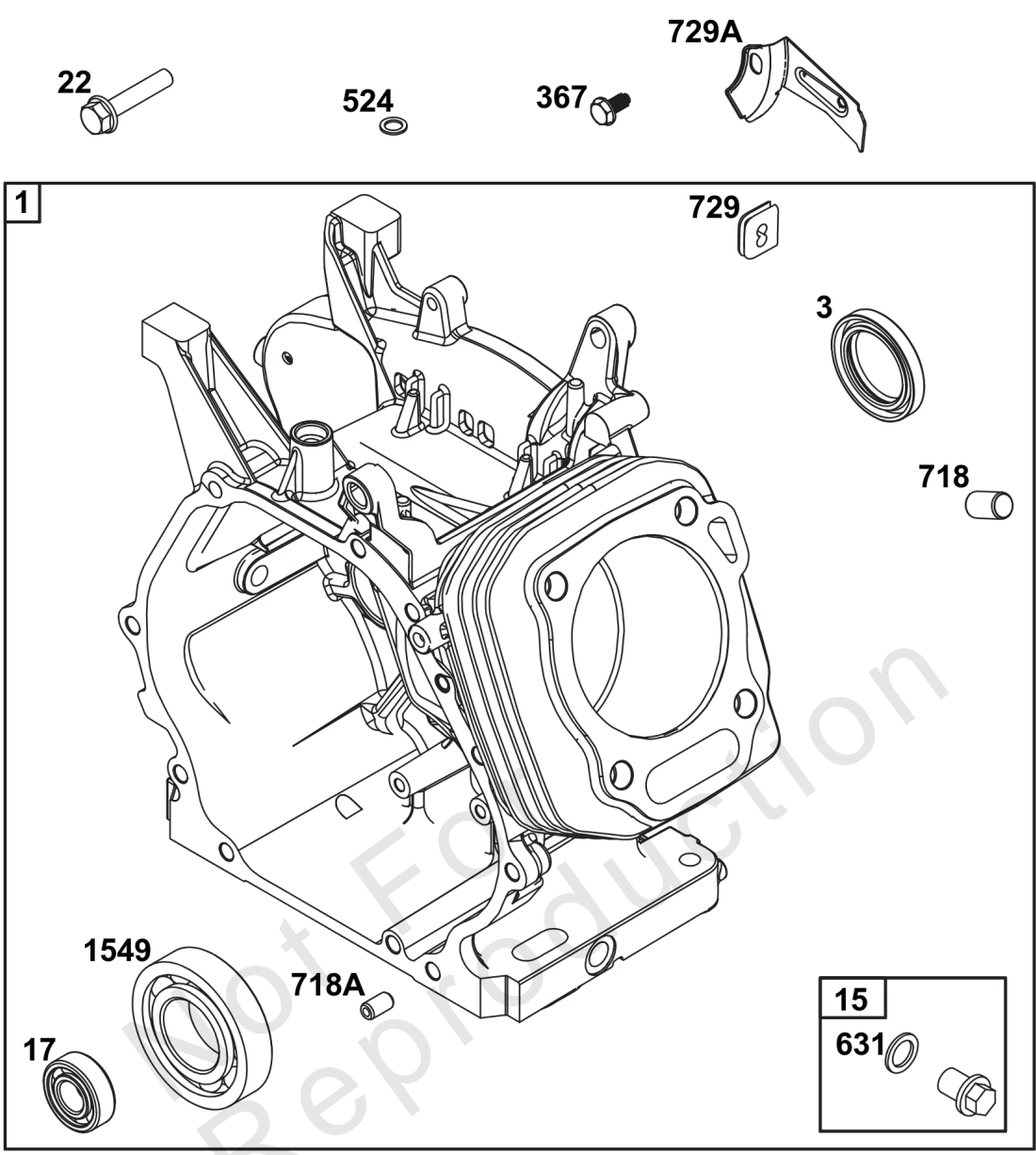
Crankcase Cover/Sump Group

REF NO	PART NO	QTY	DESCRIPTION
3	-----	2	SEAL, Oil -(Part information located in Cylinder Group.)
7	-----	1	GASKET, Cylinder Head -(Part information located in Cylinder Head Group.)
12	797789	1	GASKET, Crankcase
15	-----	2	PLUG, Oil Drain -(Part information located in Cylinder Group.)
17	-----	2	BEARING, Ball -(Part information located in Cylinder Group.)
18	591056	1	COVER, Crankcase
20	797766	2	SEAL, Oil -(PTO Side)
22	797795	7	SCREW -(Crankcase Cover/Sump)
45	-----	2	TAPPET, Valve -(Part information located in Cylinder Head Group.)
46	-----	1	CAMSHAFT -(Part information located in Crankshaft Group.)
51	-----	1	GASKET, Intake -(Part information located in Cylinder Head Group.)
51A	-----	1	GASKET, Intake -(Part information located in Cylinder Head Group.)
163	-----	1	GASKET, Air Cleaner -(Part information located in Carburetor Group.)
187	-----	1	LINE, Fuel -(Part information located in Fuel Supply Group.)
358	-----	1	GASKET SET, Engine -(Part information located in Cylinder Group.)
522	-----	2	PLUG, Dipstick/Fill -(Part information located in Lubrication Group.)
524	-----	2	SEAL, O-Ring -(Part information located in Lubrication Group.)
601	-----	2	CLAMP, Hose -(Part information located in Fuel Supply Group.)
631	-----	2	WASHER -(Part information located in Cylinder Group.)
718A	-----	2	PIN, Locating -(Part information located in Cylinder Group.)
799	-----	2	SCREW -(Part information located in Lubrication Group.)
868	-----	1	SEAL, Valve -(Part information located in Cylinder Head Group.)
883	-----	1	GASKET, Exhaust -(Part information located in Exhaust Group.)
883A	-----	1	GASKET, Exhaust -(Part information located in Exhaust Group.)
1022	-----	1	GASKET, Rocker Cover -(Part information located in Cylinder Head Group.)
1052	-----	1	SENSOR, Oil -(Part information located in Lubrication Group.)
1548	797765	1	BEARING, Ball -(Crankcase Cover/Sump)



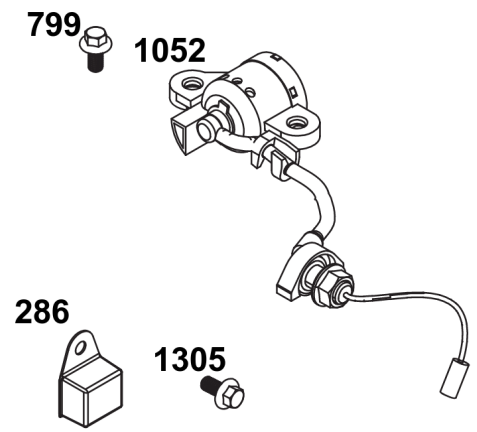
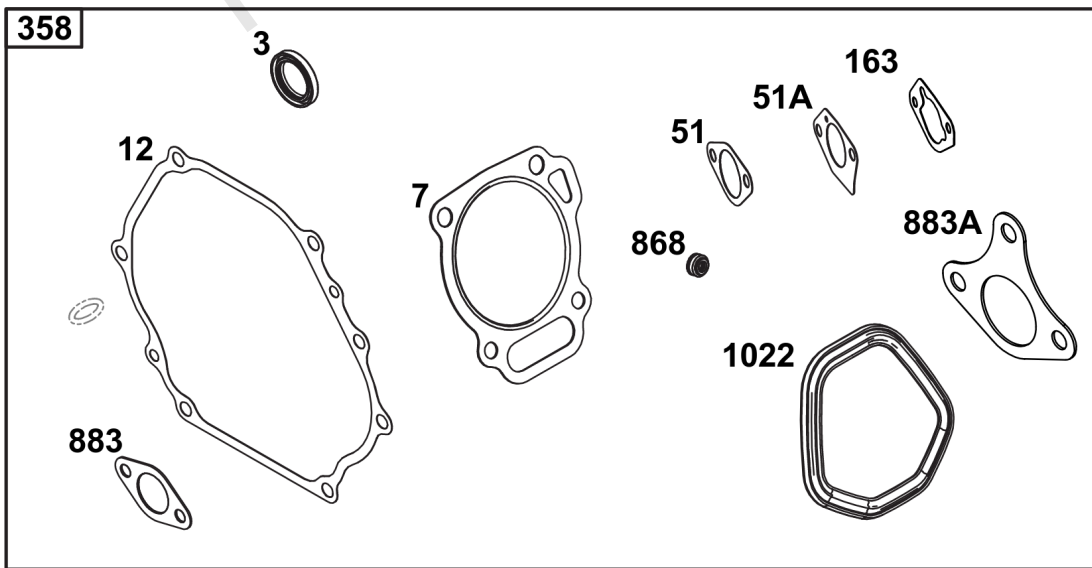
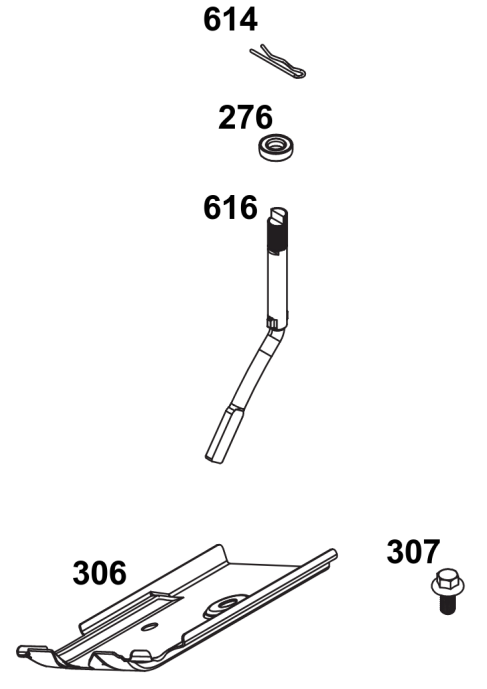
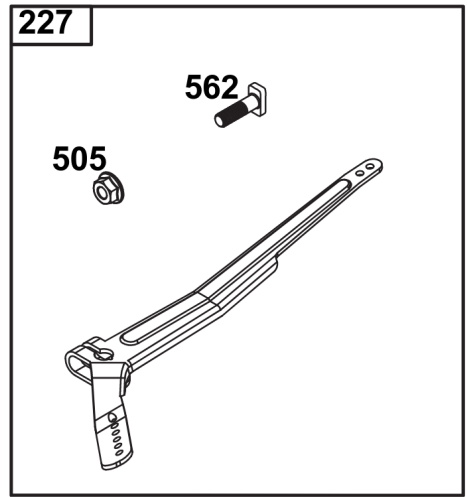
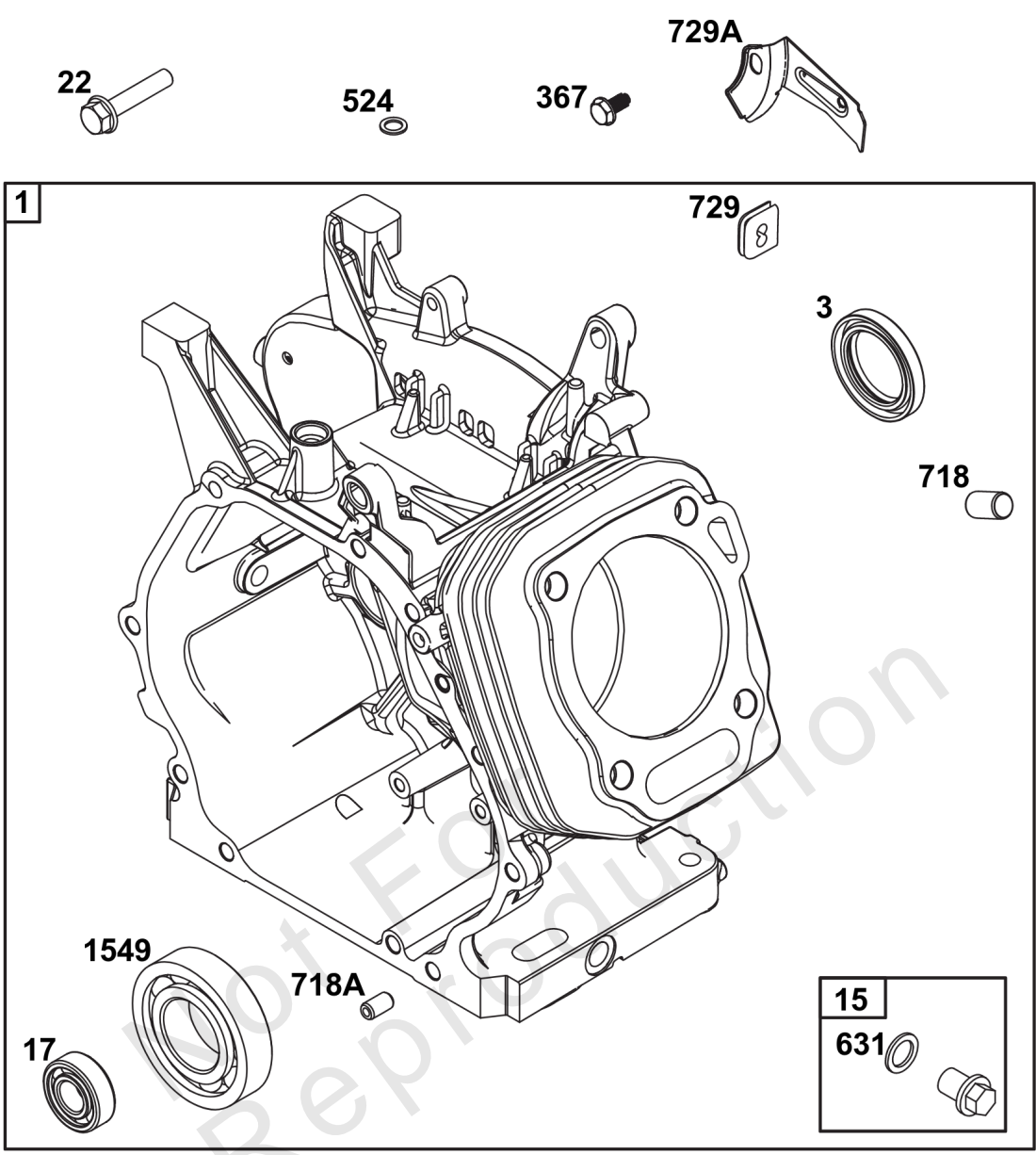
Crankshaft Group

REF NO	PART NO	QTY	DESCRIPTION
16	591043	1	CRANKSHAFT
24	797286	1	KEY, Flywheel
25	799535	1	PISTON ASSEMBLY -(Standard)
25	799536	1	PISTON ASSEMBLY -(.010 Oversize)
25	799537	1	PISTON ASSEMBLY -(.020 Oversize)
26	799538	1	SET, Ring -(Standard)
26	799539	1	SET, Ring -(.010 Oversize)
26	799540	1	SET, Ring -(.020 Oversize)
27	797803	2	LOCK, Piston Pin
28	797799	1	PIN, Piston
29	797804	1	ROD, Connecting
45	-----		TAPPET, Valve -(Part information located in Cylinder Head Group.)
46	797851	1	CAMSHAFT
758	797852	1	COUNTERWEIGHT
1549	797765	1	BEARING, Ball -(Crankshaft)



Cylinder Group

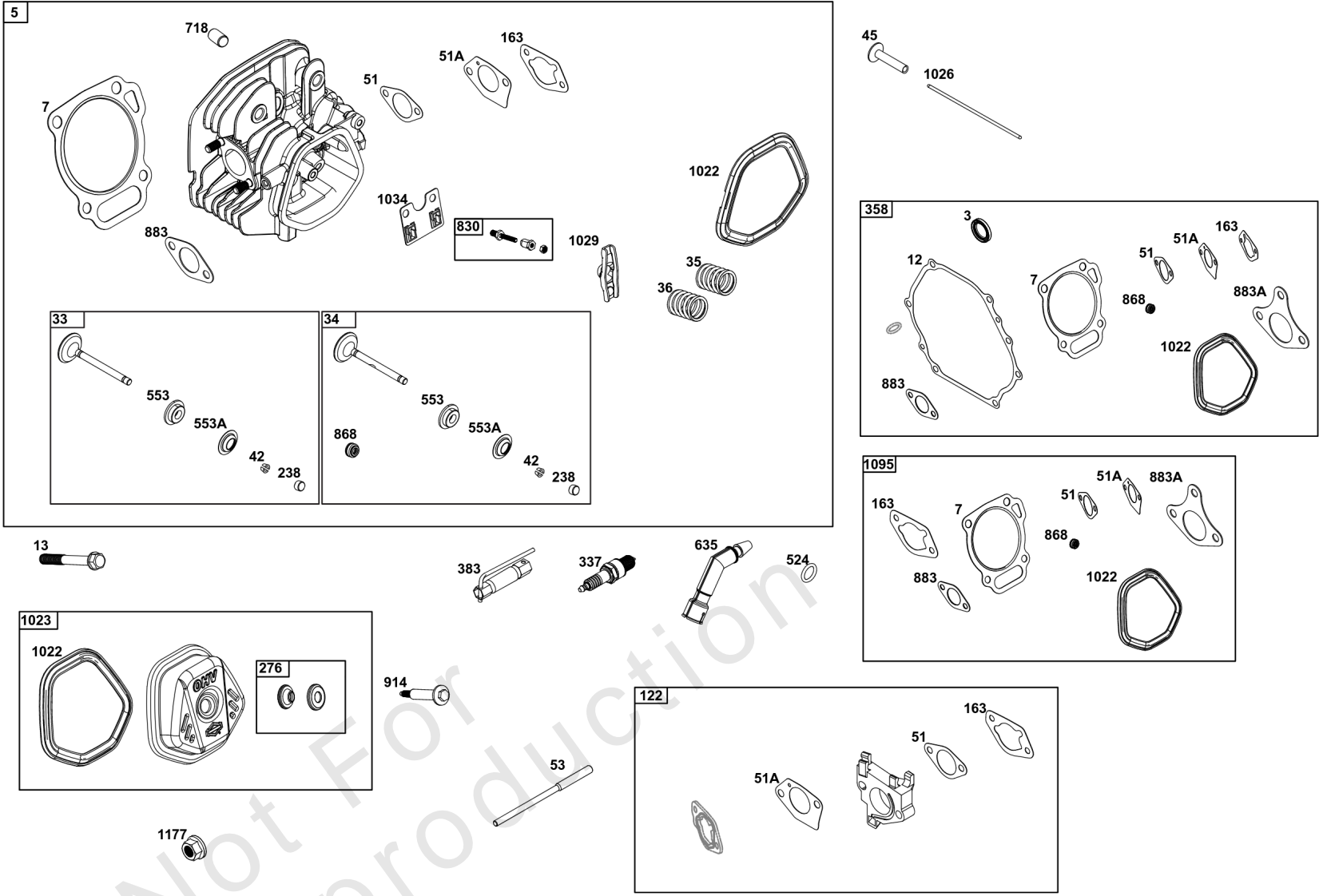
REF NO	PART NO	QTY	DESCRIPTION
1	799967	1	CYLINDER ASSEMBLY
3	797766	2	SEAL, Oil -(Magneto Side)
7	-----	1	GASKET, Cylinder Head -(Part information located in Cylinder Head Group.)
12	-----	1	GASKET, Crankcase -(Part information located in Crankcase Cover/Sump Group.)
15	797793	2	PLUG, Oil Drain
17	797764	2	BEARING, Ball -(Cylinder)
22	-----	7	SCREW -(Part information located in Crankcase Cover/Sump Group.)
51	-----	1	GASKET, Intake -(Part information located in Cylinder Head Group.)
51A	-----	1	GASKET, Intake -(Part information located in Cylinder Head Group.)
163	-----		GASKET, Air Cleaner -(Part information located in Carburetor Group.)
227	-----	1	LEVER, Governor Control -(Part information located in Controls Group.)
276	797806	1	WASHER, Sealing
286	-----	1	MODULE, Oil Sensor -(Part information located in Controls Group.)
306	797749	1	SHIELD, Cylinder
307	798618	1	SCREW -(Cylinder Shield)
358	799952	1	GASKET SET, Engine -(Service Kits can include parts not for this engine.)
367	-----	2	SCREW -(Part information located in Controls Group.)
505	-----	2	NUT -(Part information located in Controls Group.)
524	-----	2	SEAL, O-Ring -(Part information located in Lubrication Group.)
562	-----	1	BOLT -(Part information located in Controls Group.)
614	797229	1	PIN, Cotter
616	797805	1	CRANK, Governor
631	797794	2	WASHER
718	797792	2	PIN, Locating
718A	797761	2	PIN, Locating
729	-----	1	CLIP, Wire -(Part information located in Flywheel/Ignition/Starter Group.)
729A	-----	1	CLIP, Wire -(Part information located in Controls Group.)
799	-----	2	SCREW -(Part information located in Lubrication Group.)
868	-----	1	SEAL, Valve -(Part information located in Cylinder Head Group.)
883	-----	1	GASKET, Exhaust -(Part information located in Exhaust Group.)
883A	-----	1	GASKET, Exhaust -(Part information located in Exhaust Group.)
1022	-----	1	GASKET, Rocker Cover -(Part information located in Cylinder Head Group.)
1052	-----	1	SENSOR, Oil -(Part information located in Lubrication Group.)
1305	-----	1	SCREW -(Part information located in Controls Group.)



Cylinder Group

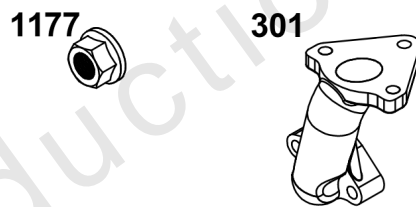
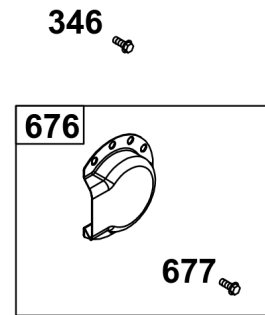
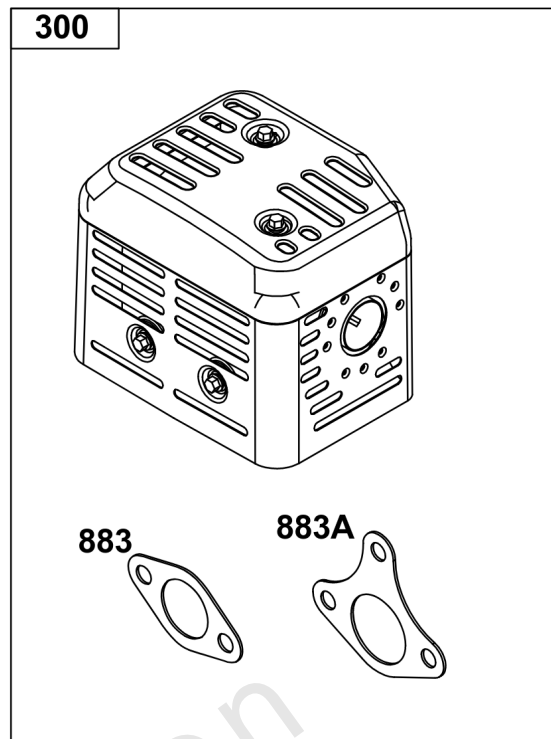
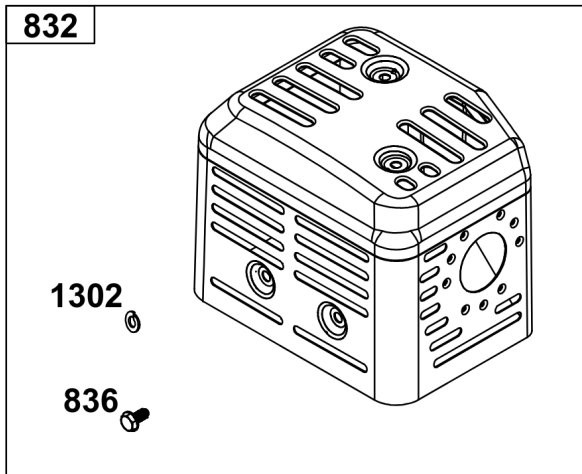
REF NO	PART NO	QTY	DESCRIPTION
1549	-----	1	BEARING, Ball -(Part information located in Crankshaft Group.)

Not For Reproduction



Cylinder Head Group

REF NO	PART NO	QTY	DESCRIPTION
3	-----		SEAL, Oil -(Part information located in Cylinder Group.)
5	799801	1	HEAD, Cylinder
7	799534	1	GASKET, Cylinder Head
12	-----	1	GASKET, Crankcase -(Part information located in Crankcase Cover/Sump Group.)
13	797791	4	SCREW -(Cylinder Head)
33	797778	1	VALVE, Exhaust
34	797777	1	VALVE, Intake
35	797780	1	SPRING, Valve -(Intake)
36	797780	1	SPRING, Valve -(Exhaust)
42	797783	4	KEEPER, Valve
45	797786	2	TAPPET, Valve
51	797845	1	GASKET, Intake
51A	797755	1	GASKET, Intake
53	-----	2	STUD -(Part information located in Carburetor Group.)
122	-----	1	SPACER, Carburetor -(Part information located in Carburetor Group.)
163	-----	1	GASKET, Air Cleaner -(Part information located in Carburetor Group.)
238	797784	2	CAP, Valve
276	797847	1	WASHER, Sealing
337	798615	1	PLUG, Spark
358	-----	1	GASKET SET, Engine -(Part information located in Cylinder Group.)
383	19576S	1	WRENCH, Spark Plug
524	-----	1	SEAL, O-Ring -(Part information located in Crankcase Cover/Sump Group.)
553	797781	2	RETAINER, Valve
553A	797782	1	RETAINER, Valve
635	797685	1	BOOT, Spark Plug
718	-----	2	PIN, Locating -(Part information located in Cylinder Group.)
830	591088	2	STUD, Rocker Arm
868	797854	1	SEAL, Valve
883	-----	1	GASKET, Exhaust -(Part information located in Exhaust Group.)
883A	-----	1	GASKET, Exhaust -(Part information located in Exhaust Group.)
914	797848	1	SCREW -(Rocker Cover)
1022	797846	1	GASKET, Rocker Cover
1023	799778	1	COVER, Rocker
1026	799966	2	ROD, Push
1029	591087	2	ARM, Rocker
1034	797787	1	GUIDE, Push Rod
1095	799953	1	GASKET SET, Valve -(Service Kits may include extra parts not specific to this engine.)
1177	-----	2	NUT -(Part information located in Exhaust Group.)

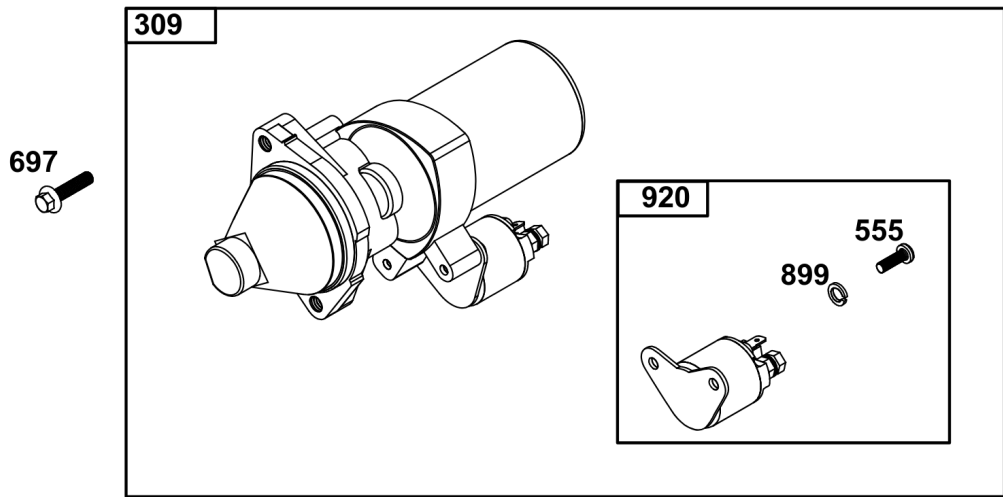
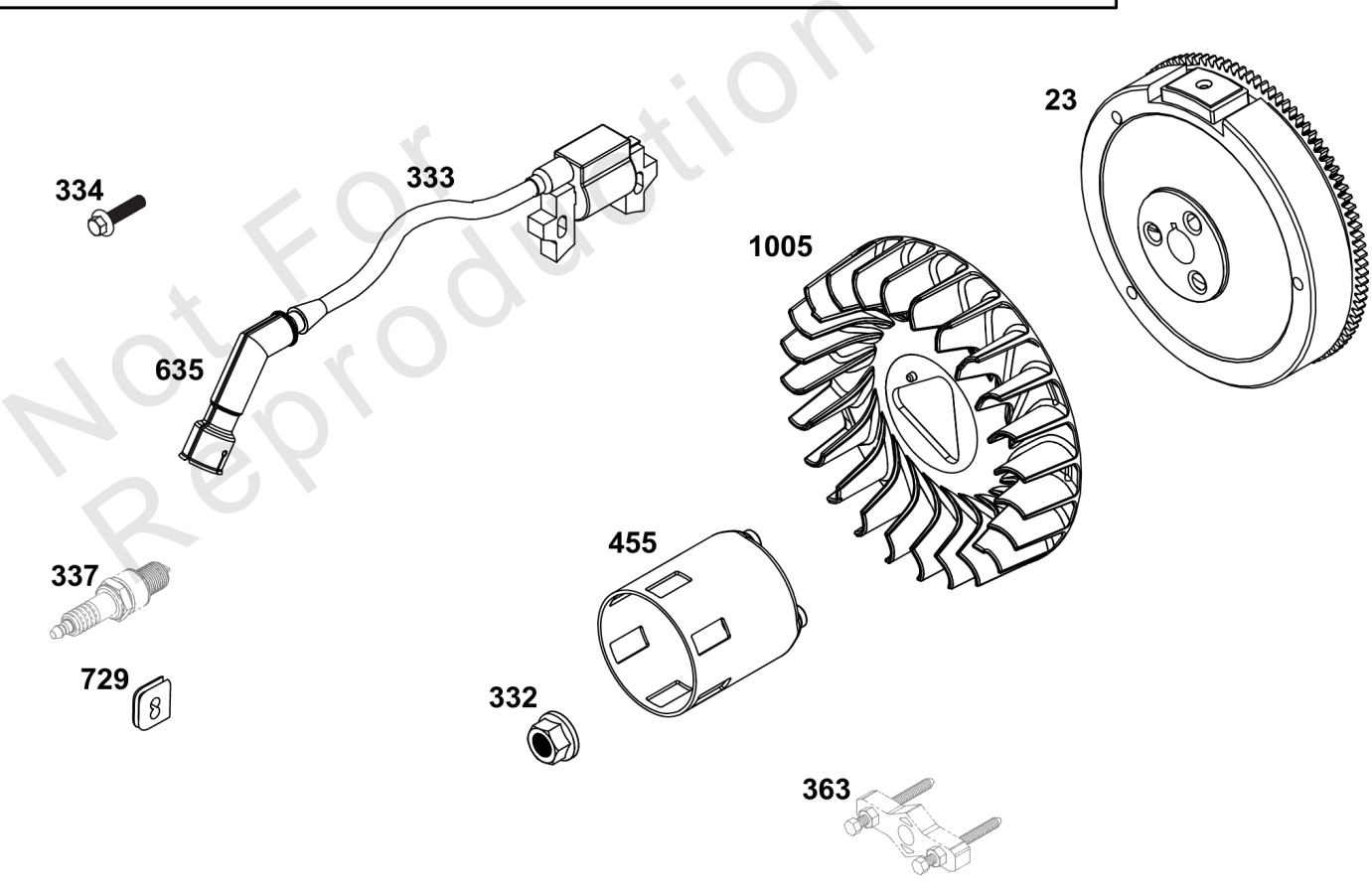
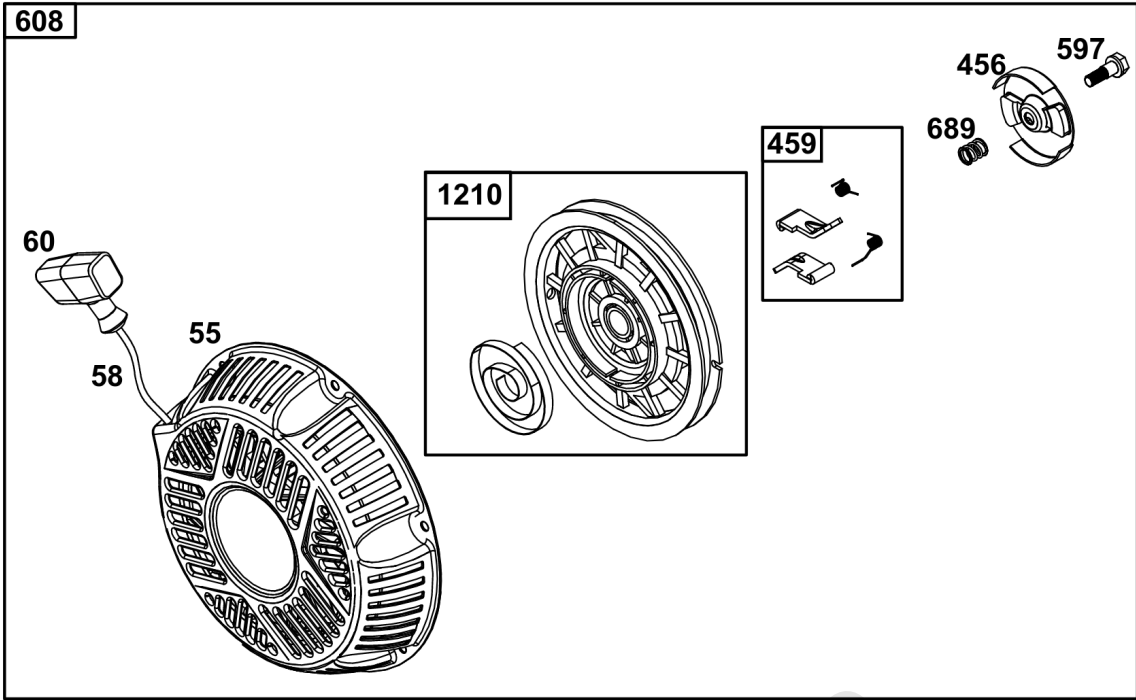


Not For
Reproduction

Exhaust Group

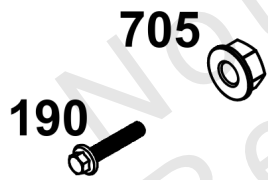
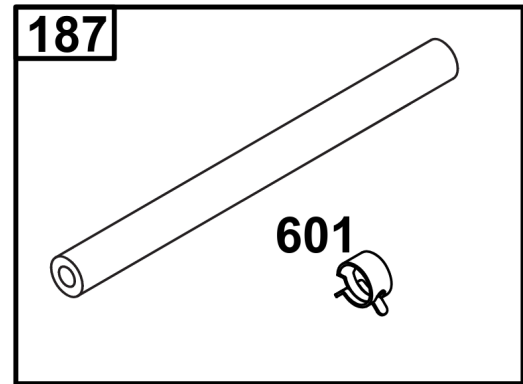
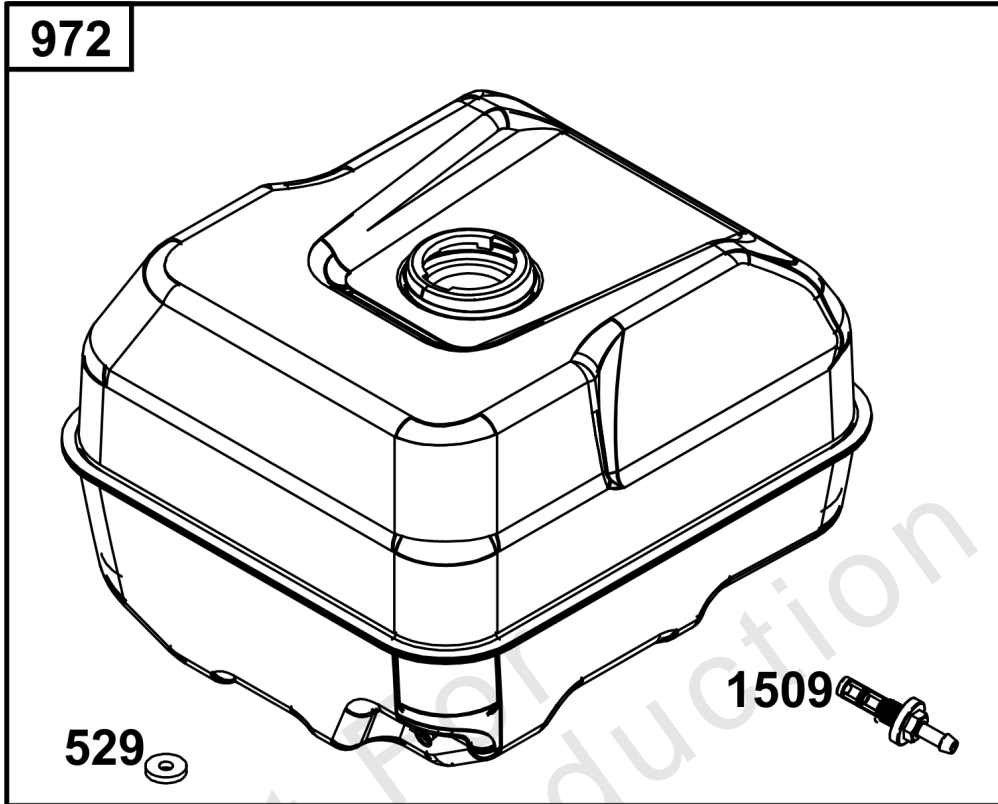
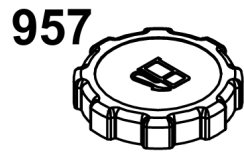
REF NO	PART NO	QTY	DESCRIPTION
300	590379	1	MUFFLER
301	799796	1	MANIFOLD, Exhaust
346	699203	3	SCREW -(Spark Arrestor)
676	590953	1	DEFLECTOR, Muffler
677	699203	3	SCREW -(Muffler Deflector)
832	590380	1	GUARD, Muffler
836	798976	4	SCREW -(Muffler Guard)
883	797770	1	GASKET, Exhaust
883A	799797	1	GASKET, Exhaust
1177	590965	2	NUT -(Muffler)
1302	590457	4	WASHER -(Muffler Guard)

Not For Reproduction



Flywheel, Ignition, and Starter Group

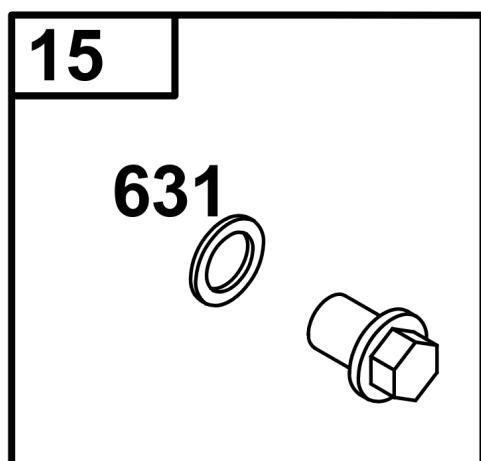
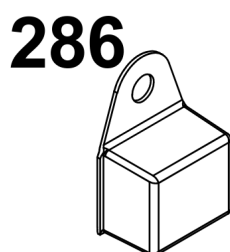
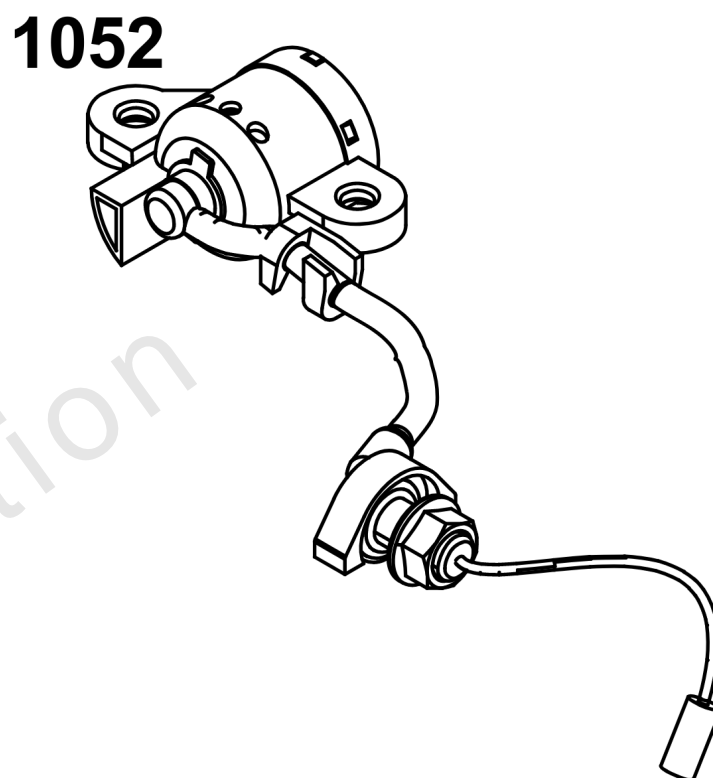
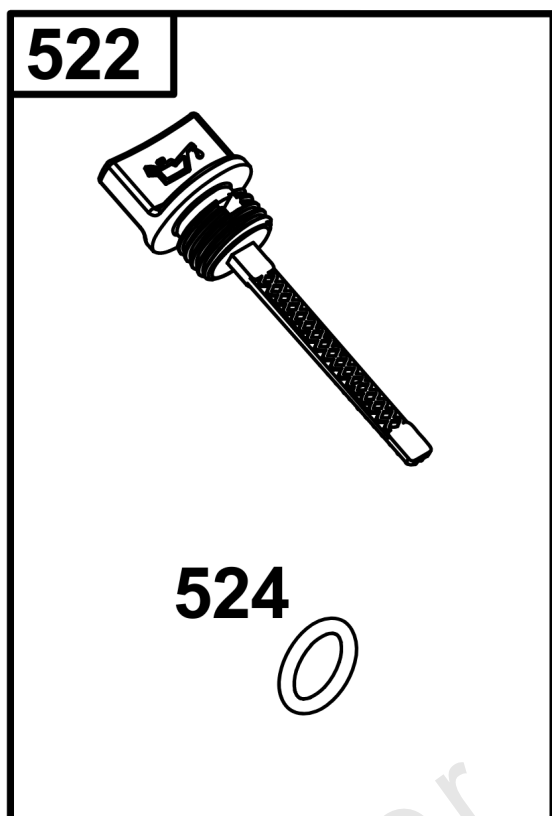
REF NO	PART NO	QTY	DESCRIPTION
23	591095	1	FLYWHEEL
55	799974	1	HOUSING, Rewind Starter
58	693389	1	ROPE, Starter -(Cut To Required Length)
60	691915	1	GRIP, Starter Rope
65	797654	3	SCREW -(Rewind Starter)
309	797775	1	MOTOR, Starter
332	797811	1	NUT -(Flywheel)
333	798616	1	ARMATURE, Magneto
334	590644	2	SCREW -(Magneto Armature)
337	-----	1	PLUG, Spark -(Part information located in Cylinder Head Group.)
363	19203	1	PULLER, Flywheel
455	797746	1	CUP, Flywheel
456	799973	1	PLATE, Pawl Friction
459	799976	2	PAWL, Ratchet
555	799532	2	SCREW -(Starter Solenoid)
597	799972	1	SCREW -(Pawl Friction Plate)
608	797747	1	STARTER, Rewind
635	-----		BOOT, Spark Plug -(Part information located in Cylinder Head Group.)
689	799669	1	SPRING, Friction
697	797776	2	SCREW -(Starter Motor) (Drive Cap)
729	797750	1	CLIP, Wire
899	799642	2	WASHER -(Starter Solenoid)
920	799481	1	SOLENOID, Starter
1005	797748	1	FAN, Flywheel
1210	799975	1	PULLEY/SPRING ASSEMBLY



Fuel Supply Group

REF NO	PART NO	QTY	DESCRIPTION
187	595725	1	LINE, Fuel
190	590964	2	SCREW -(Fuel Tank)
529	799933	2	GROMMET
601	791850	2	CLAMP, Hose
703	590967	1	CLIP
705	590965	2	NUT -(Fuel Tank)
957	794641	1	CAP, Fuel Tank
972	590966	1	TANK, Fuel
1509	797346	1	OUTLET, Tank

Not For Reproduction



Lubrication Group

REF NO	PART NO	QTY	DESCRIPTION
15	-----	2	PLUG, Oil Drain -(Part information located in Cylinder Group.)
286	-----	1	MODULE, Oil Sensor -(Part information located in Controls Group.)
522	84004387	2	PLUG, Dipstick/Fill
524	84004385	2	SEAL, O-Ring -(Dipstick Tube)
631	-----	2	WASHER -(Part information located in Cylinder Group.)
799	798975	2	SCREW -(Oil Sensor)
1052	797771	1	SENSOR, Oil
1305	-----	1	SCREW -(Part information located in Controls Group.)

Not For Reproduction

